

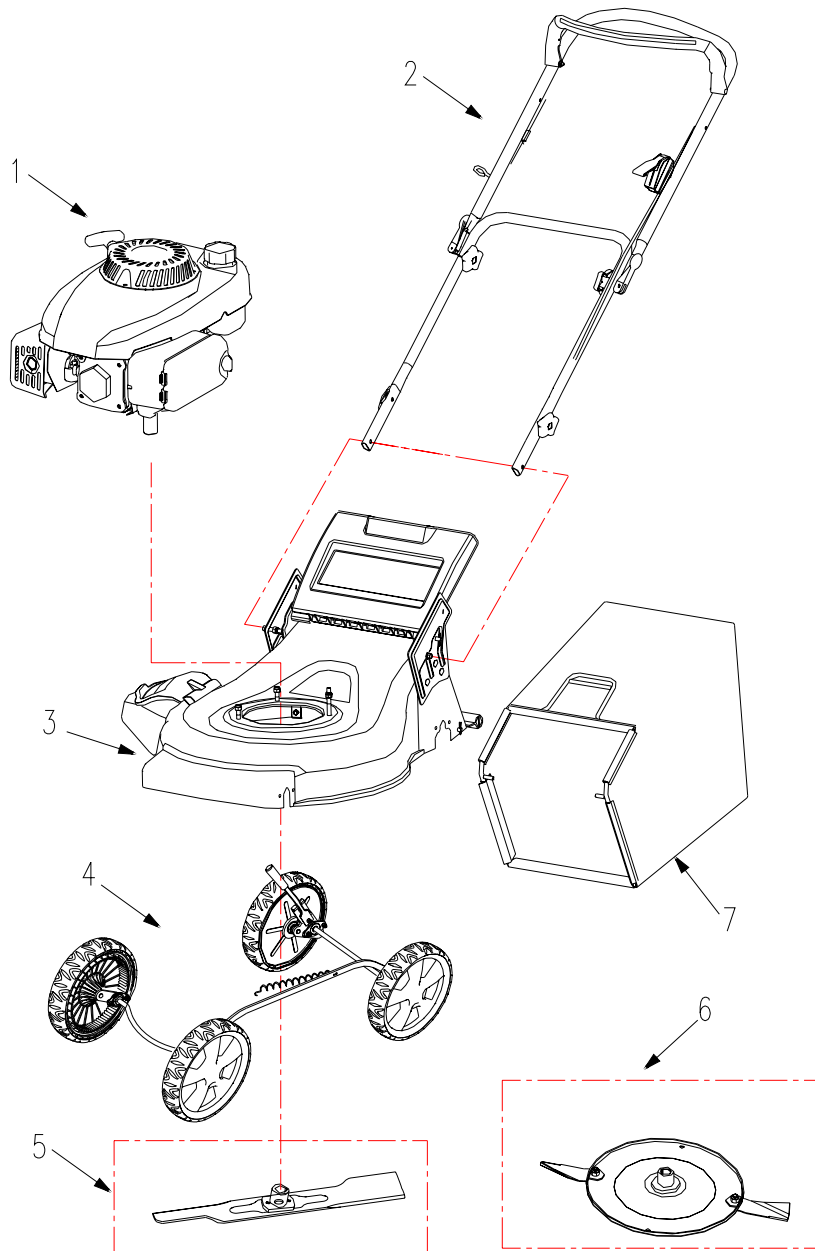


MOWER ASSEMBLY	1
HANDLEBAR & CONSOLE	2
MOWER DECK ASSEMBLY	8
DRIVE ASSEMBLY	10
STRAIGHT/SWING BLADE ASSEMBLY	12
GRASS BAG ASSEMBLY	14



沃得集团
WORLD GROUP

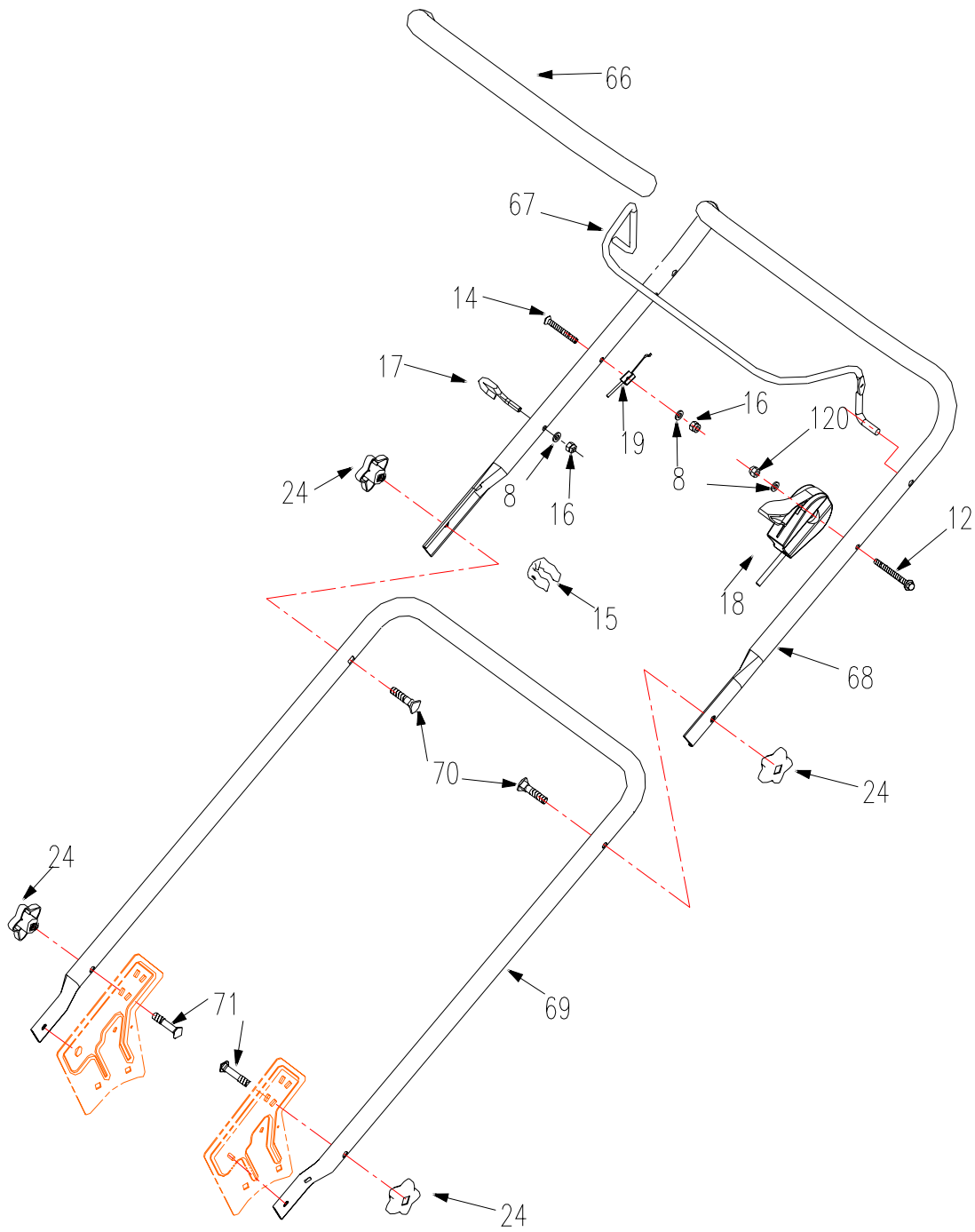
MOWER ASSEMBLY



REF NO.	PART NO.	DESCRIPTION	WYS18-**-A*0*	WYS18-**-B*0*
1		WD engine		
2		Handlebar & console		
3		Mower deck assembly		
4		Drive assembly		
5		Straight blade assembly		
6		Swing blade assembly		
7		Grass bag assembly		



HANDLEBAR & CONSOLE

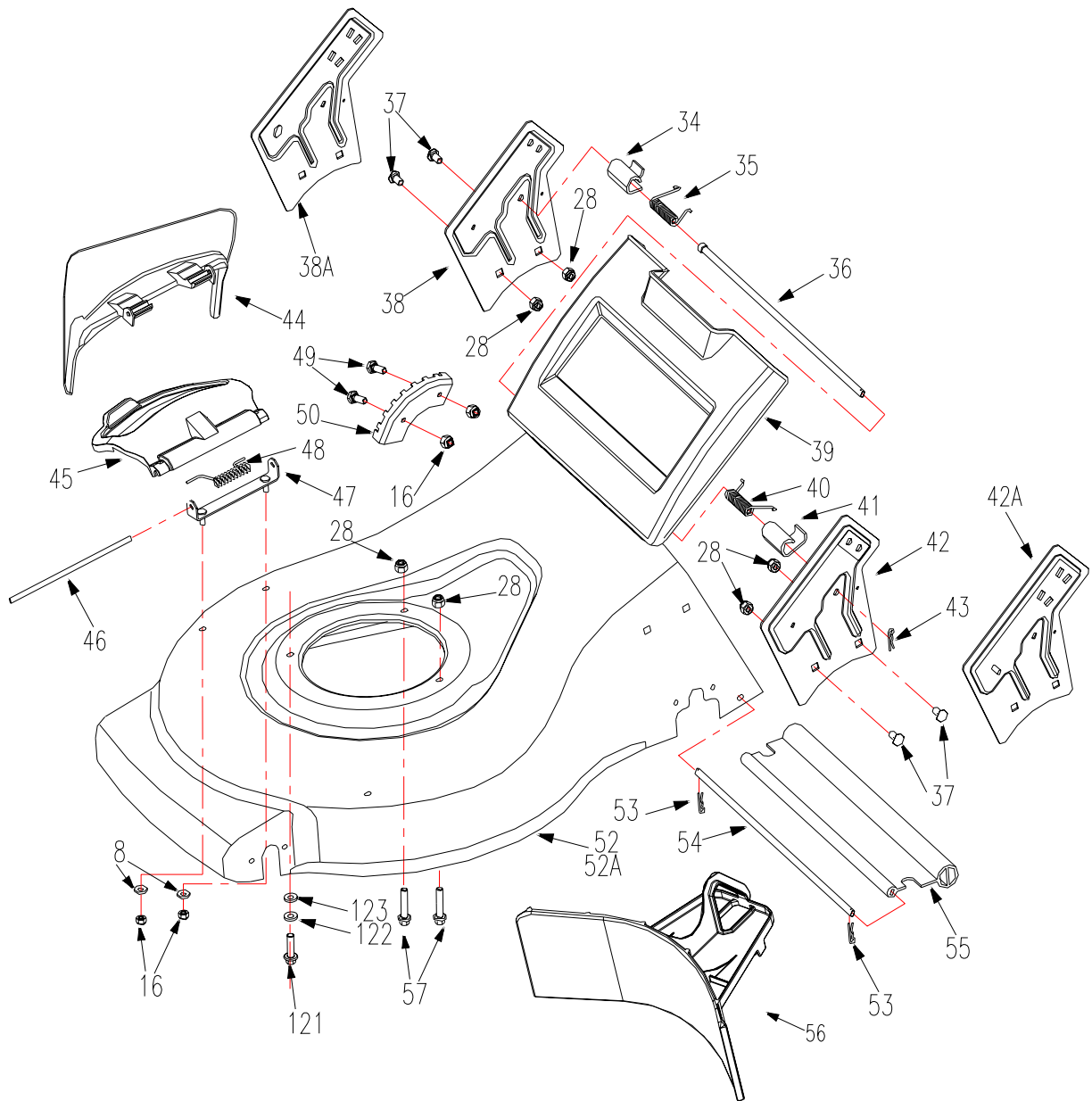




REF NO.	PART NO.	DESCRIPTION	WYS18-**-A*0*	WYS18-**-B*0*
8	B97.1-6	Flat Washer 6mm		
12	B820-650	Phillips Hd Screw M6×50		
14	B820-640	Phillips Hd Screw M6×40		
15	2011031	Cable clamp		
16	B6182-6	Nylon Insert Lock Nut M6		
17	WORD18.6-05	Rope Guide		
18	2215300A	Throttle Control Assembly		
19	2203332	Cable Unit		
24	XSZ56-1-09	Knob Nut M8		
66	WORD18.6-04	Handle Grip		
67	WORD18.6.1A	Flywheel Brake Lever		
68	WORD18.6-02	Upper Handle		
69	WORD18.6-01	Lower Handle		
70	XSZ56-1-15	Bolt, Handle		
71	B801-840	Square Neck Bolt M8×40mm		
120	B923-6	Nut M6		



MOWER DECK ASSEMBLY





沃得集团
WORLD GROUP

MOWER DECK ASSEMBLY

REF NO.	PART NO.	DESCRIPTION	WYS18-**-A*0*	WYS18-**-B*0*
8	B97.1-6	Flat Washer 6mm		
16	B6182-6	Nylon Insert Lock Nut M6		
28	B6182-8	Nylon Insert Lock Nut M8		
34	1822033	Torsion Spring Seat, RH		
35	2000056	Torsion Spring, Right		
36	2000024	Rod, Rear Cover		
37	B801-816	Square Neck Bolt M8x16mm		
38	1800029	Bracket, RH		
38A	1822006	Right Bracket		
39	1800004	Rear Cover		
40	2000055	Torsion Spring, Left		
41	1822032	Torsion Spring Seat, LH		
42	1800028	Bracket, LH		
42A	1822004	Left Bracket		
43	XSZ56-1-17	Hair Pin		
44	1813005	Side Discharge Chute	N	
45	1800016	Mulch Cover	N	
46	2000019	Pivot Shaft	N	
47	2213000	Mounting Bracket, Discharging	N	
48	2200021	Torsion Spring	N	
49	B5787-616	Hex Hd. Flange Bolt M6×16		
50	1822001	Height Adjustment Rack		
52	1822010	Mower Deck		N
52A	1822015	Mower Deck	N	
53	B91-220	Hair Pin 2×20		
54	2000006	Rod, Rear Guard		
55	XSS46-15	Rear Guard		
56	1822008	Mulching Plug		
57	B5787-840	Hex Hd. Flange Bolt M8×40		
121	B5787-825	Hex Hd. Flange Bolt M8×25		
122	B93-8	Washer 8		
123	B97.1-8	Washer 8		

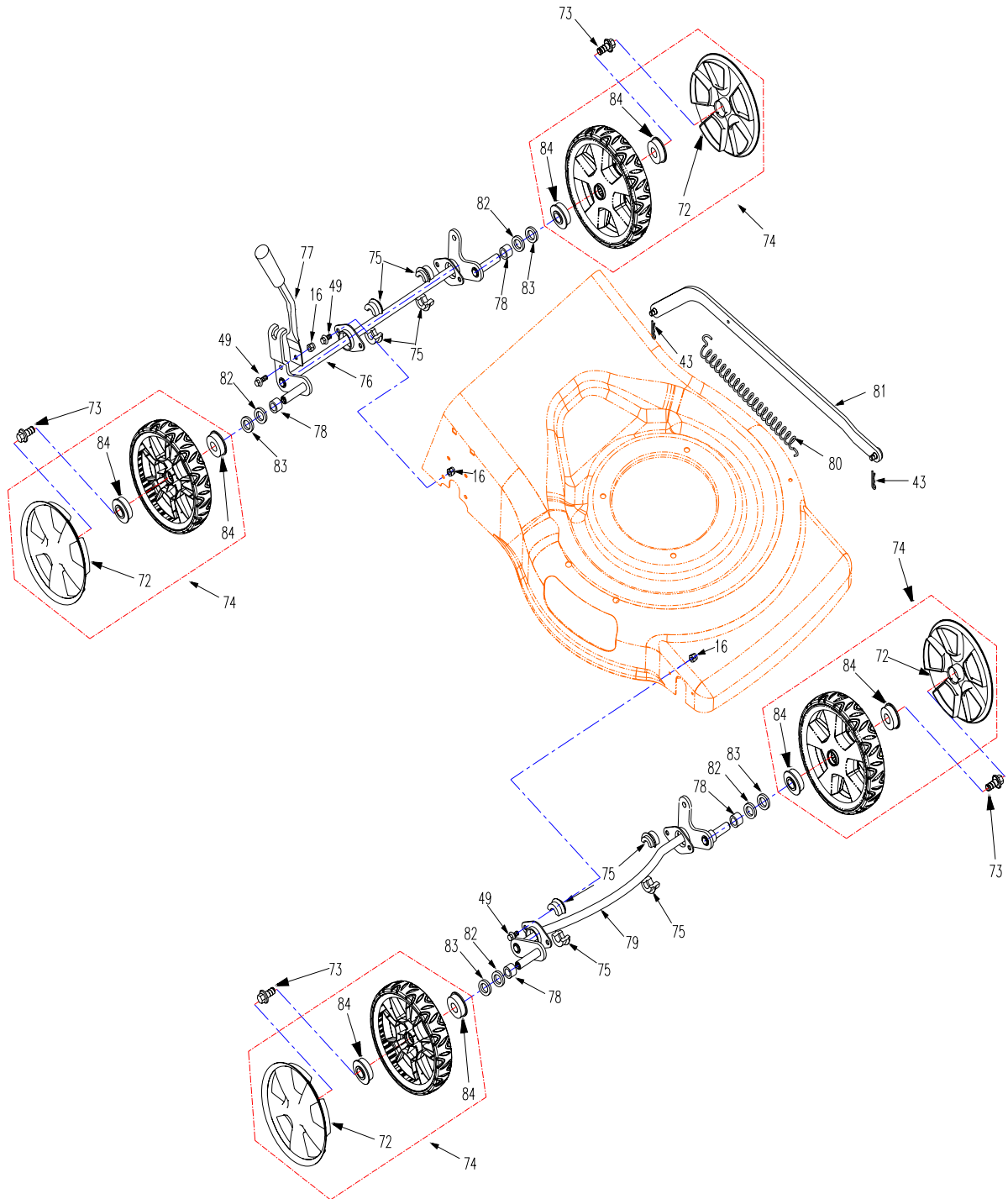
Note: 1、 the number 38 and 42 components match simple handle as well as the belt tooth handle rest uses.

2、 the number 38A and the 42A components match the standard arm rest uses.



沃得集团
WORLD GROUP

DRIVE ASSEMBLY



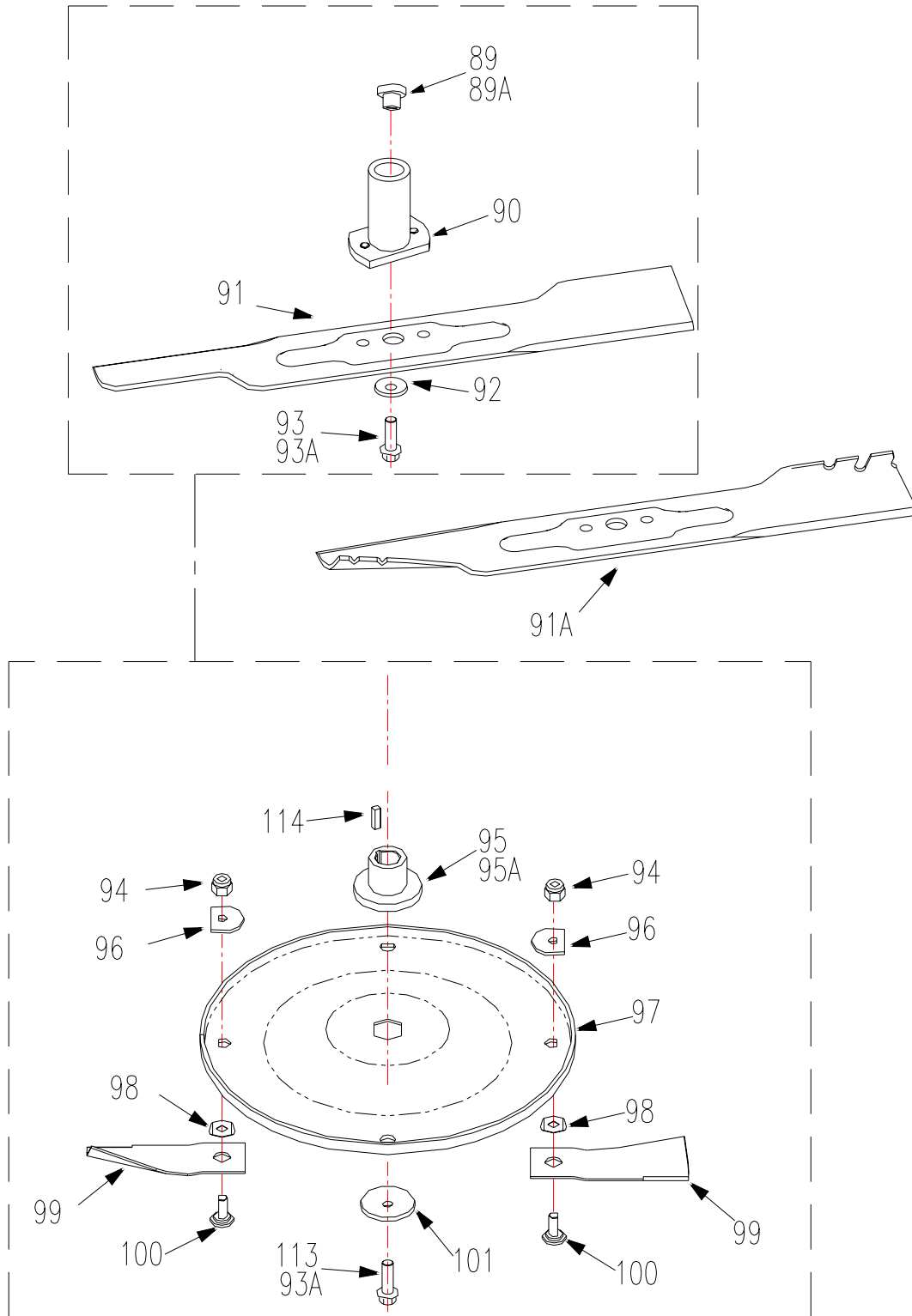


REF NO.	PART NO.	DESCRIPTION	WYS18-**-A*0*	WYS18-**-B*0*
16	B6182-6	Nylon Insert Lock Nut M6		
43	XSZ56-1-17	Hair Pin		
49	B5787-616	Hex Hd. Flange Bolt M6×16		
72	00701	Hub Cap		
73	B5787-816	Hex Hd. Flange Bolt M8×16		
74	00700	7"Wheel Assembly		
75	WORD18-01	Nylon Bearing		
76	1807120	RearAxle Assembly		
77	WORD18.5.2	Cutting Height Adjustment lever		
78	2007401	Bushing		
79	1807110	Front Shaft Assembly		
80	1810016	Tension Spring		
81	1822002	Haul Shank Seam		
82	B97.1-12	Washer 12		
83	B955-12	Wave Spring Washer12mm		
84	2201002	Wheel Bearing 1/2"		



沃得集团
WORLD GROUP

BLADE ASSEMBLY





REF NO.	PART NO.	DESCRIPTION	WYS18-**-A*0*	WYS18-**-B*0*
89	2019001■	Bushing		
89A	1800023□	Bushing		
90	1819110	Blade adaptor		
91	XSS46-01	Blade		
91A	XSS46-01B★	Blade		
92	XSZ56-2-17	Blade Washer		
93	WORD18-08A□	Hex Hd. Bolt 3/8-24UNF×1-3/4		
93A	2200010■	Hex Hd. Bolt 3/8" -24 /1" ×2"		
94	B6182-10	Nut M10		
95	WORD18-03□	Blade Adaptor		
95A	1822017■	Blade Adaptor		
96	WORD18.4-02	Slice Pillow		
97	WORD18.4-04	Blade Hub		
98	WORD18.4-03	Curved Washer		
99	WORD18.4-05	Blade		
100	WORD18.4-01	Blade Bolt M10mm		
101	WORD18-04	Blade Washer		
113	WORD18-08□	Hex Hd. Bolt 3/8-24UNF×1-3/8		
114	XSS46-02	Square Key		

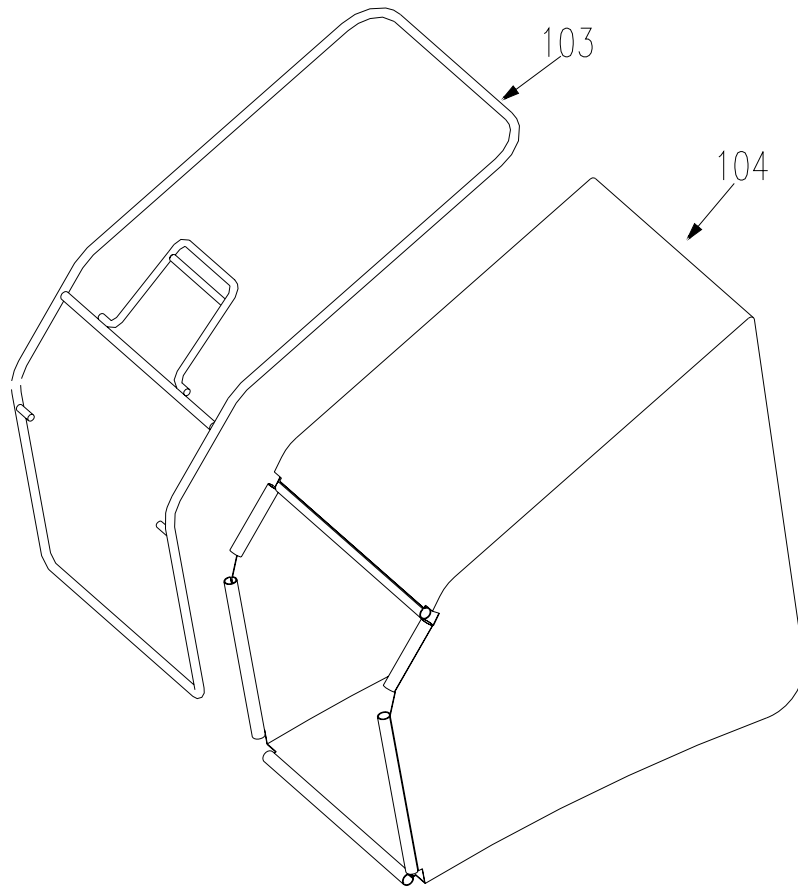
Note: 1、“□” is use for European and American area, “■” is use for Europe and America outside local.

2、“*” is the appendix, must seperately select and purchase.



沃得集团
WORLD GROUP

GRASS BAG ASSEMBLY



REF NO.	PART NO.	DESCRIPTION	WYS18-**-A*0*	WYS18-**-B*0*
103	1806410	Bag Frame		
104	XSS46.3.2	Fabric Bag		