

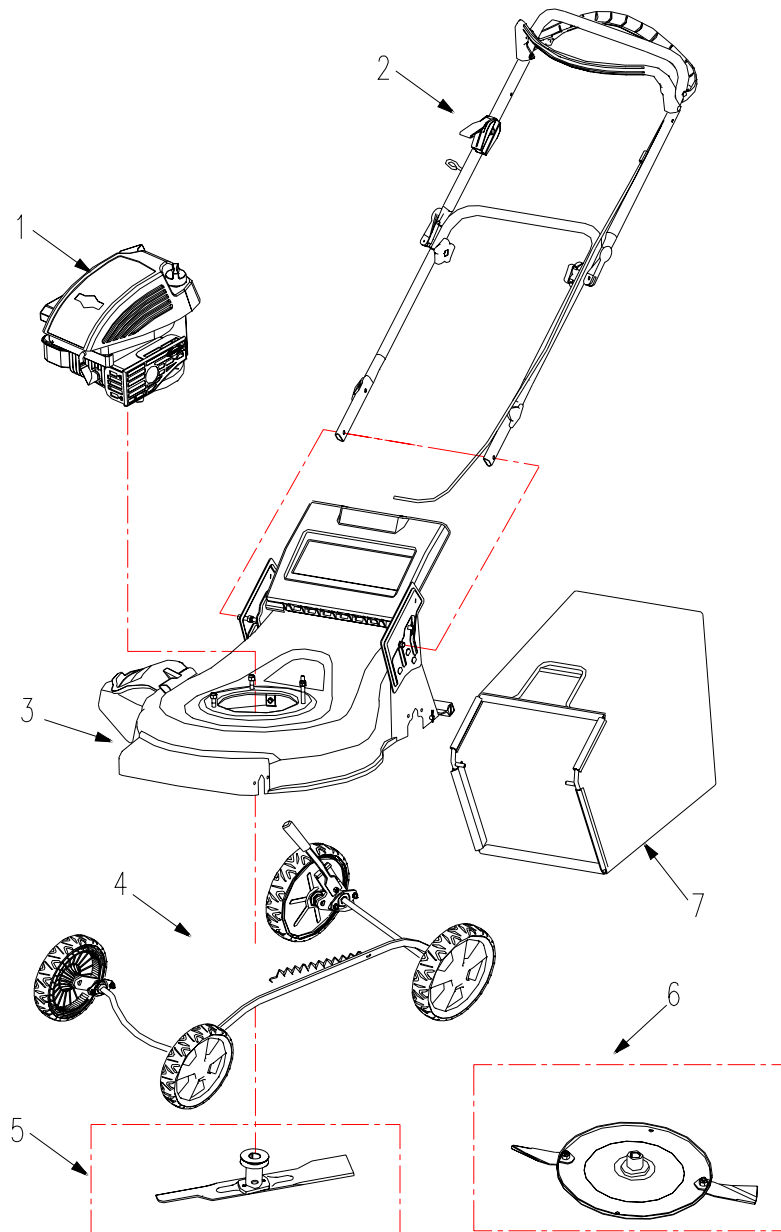


MOWER ASSEMBLY .....	1
HANDLEBAR & CONSOLE .....	2
MOWER DECK ASSEMBLY .....	8
DRIVE ASSEMBLY .....	10
STRAIGHT/SWING BLADE ASSEMBLY .....	12
GRASS BAG ASSEMBLY .....	14



沃得集团  
WORLD GROUP

# MOWER ASSEMBLY

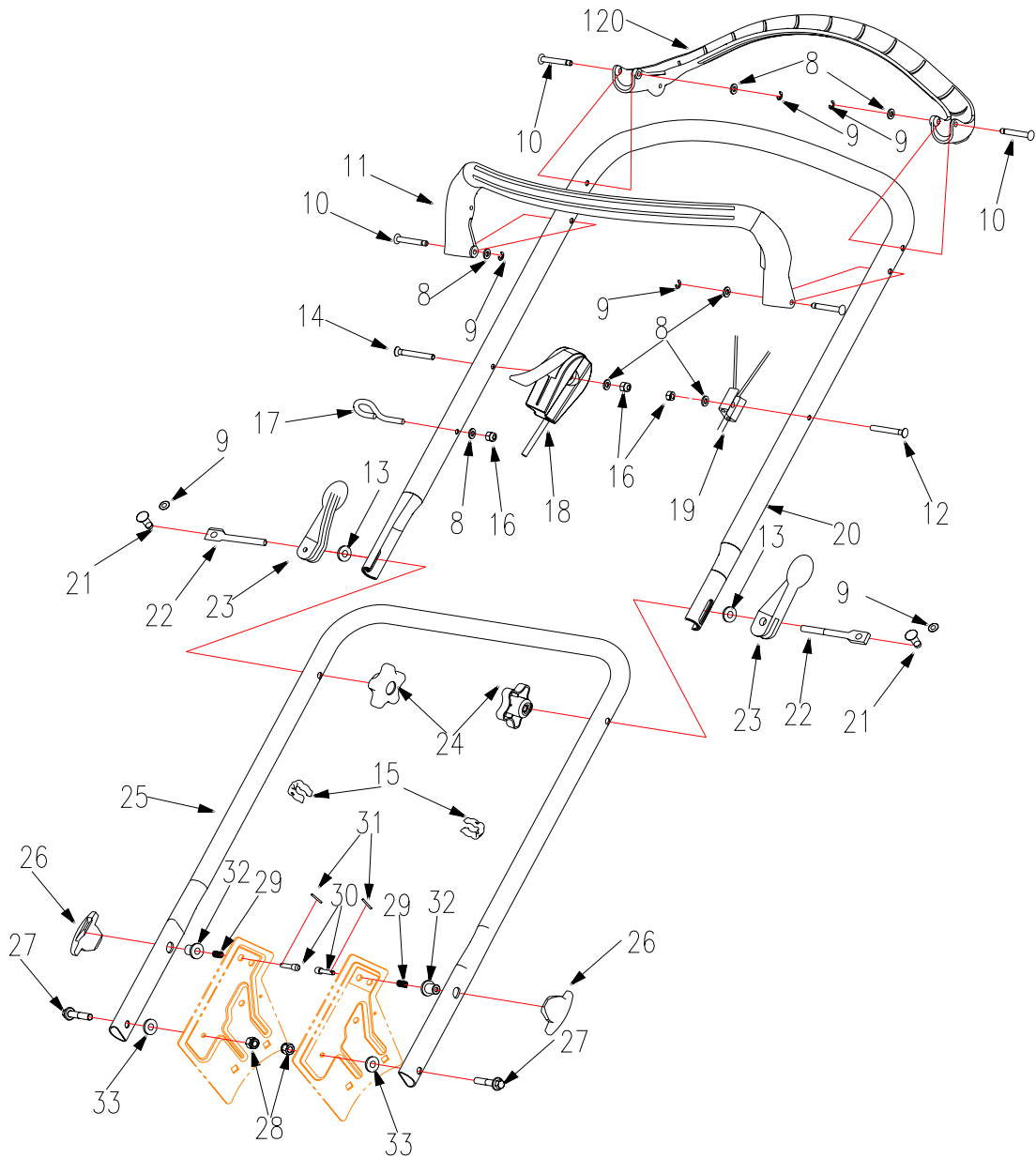


REF. NO.	PART NO.	DESCRIPTION	WYZ18N2-BS45-A*0 *	WYZ18N2-BS45-B*0*
1		engine		
2		Handlebar & console (Three configuration)		
3		Mower deck assembly		
4		Drive assembly		
5		Straight blade assembly		
6		Swing blade assembly		
7		Grass bag assembly		



沃得集团  
WORLD GROUP

# HANDLEBAR & CONSOLE(SIMPLE)





沃得集团  
WORLD GROUP

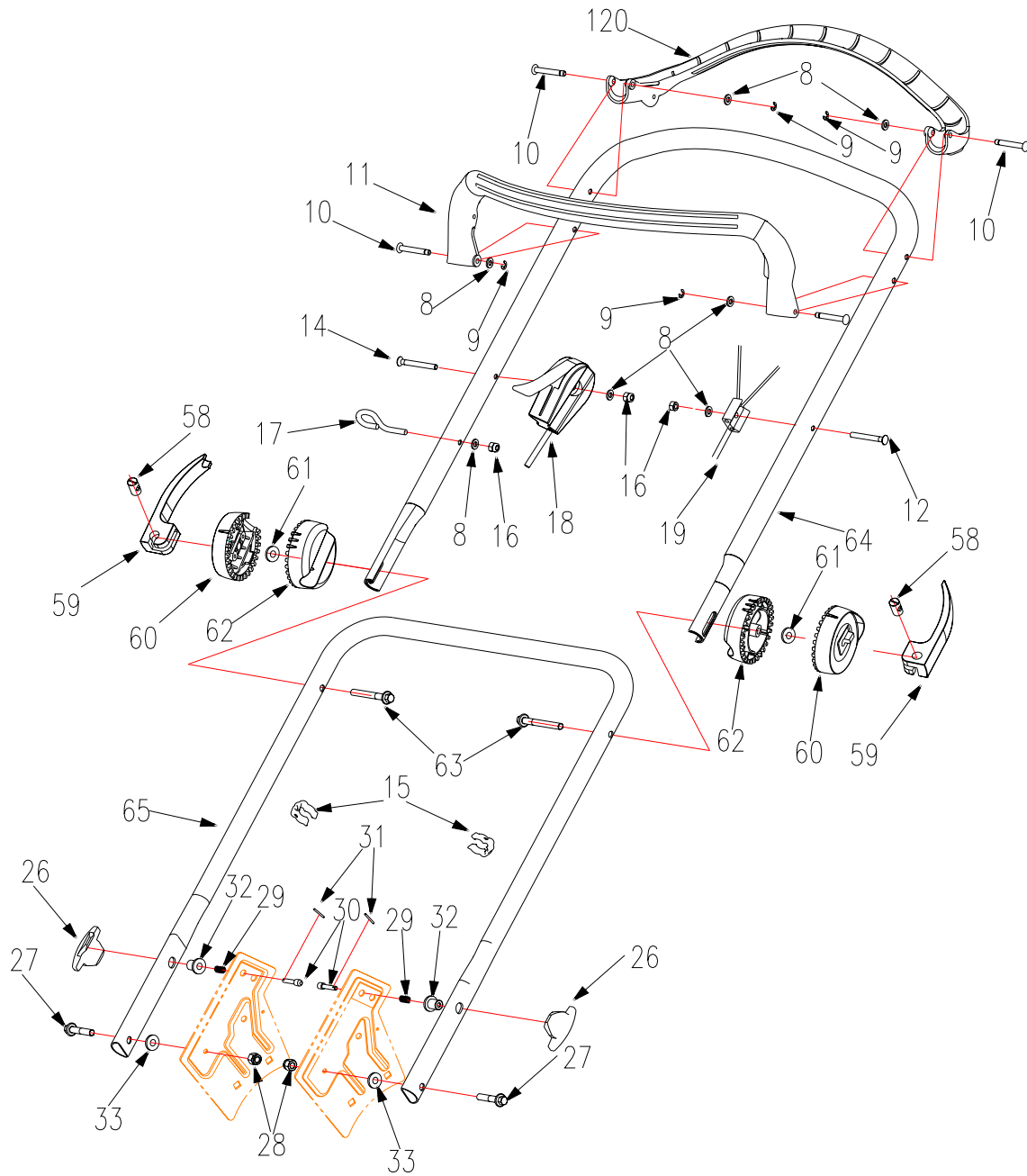
## HANDLEBAR & CONSOLE (SIMPLE)

REF NO.	PART NO.	DESCRIPTION	WYZ18N2-BS45-A *02	WYZ18N2-BS45-B* 02
8	B97.1-6	Flat Washer 6mm		
9	B/T896-5	E-Chip 5		
10	2003013	Axle Pin		
11	2003016	Flywheel Brake Lever		
12	B820-640	Phillips Hd Screw M6×40		
13	2003022	Spacer		
14	B820-650	Phillips Hd Screw M6×50		
15	2011031	Cable clamp		
16	B6182-6	Nylon Insert Lock Nut M6		
17	WORD18.6-05	Rope Guide		
18	2215300	Throttle Control Assembly		
19	2203333	Cable Unit		
20	2003014	Upper Handle		
21	2003023	Hair Pin		
22	2003021	Screw Stem		
23	2003024	Handle		
24	XSZ56-1-09	Knob Nut M8		
25	2003015	Lower Handle		
26	2003007	Switch		
27	B5787-825	Hex Hd. Flange Bolt M8×25		
28	B6182-8	Nylon Insert Lock Nut M8		
29	2003008	Compress Spring		
30	2003010	Hair Pin		
31	B/T879-212	Spring pin 2×12		
32	2003009	Spring Seat		
33	2000035	Bronze Bushing		
120	2003012	Drive Clutch Lever		



沃得集团  
WORLD GROUP

# HANDLEBAR & CONSOLE (Toothed)





沃得集团  
WORLD GROUP

## HANDLEBAR & CONSOLE (Toothed)

REF NO.	PART NO.	DESCRIPTION	WYZ18N2-BS45-A*0 3	WYZ18N2-BS45 -B*03
8	B97.1-6	Flat Washer 6		
9	B/T896-5	E-Chip 5		
10	2003013	Axle Pin		
11	2003016	Flywheel Brake Lever		
12	B820-640	Phillips Hd Screw M6×40		
14	B820-650	Phillips Hd Screw M6×50		
15	2011031	Cable clamp		
16	B6182-6	Nylon Insert Lock Nut M6		
17	WORD18.6-05	Rope Guide		
18	2215300	Throttle Control Assembly		
19	2203333	Cable Unit		
26	2003007	Switch		
27	B5787-825	Hex Hd. Flange Bolt M8×25		
28	B6182-8	Nylon Insert Lock Nut M8		
29	2003008	Compress Spring		
30	2003010	Hair Pin		
31	B/T879-212	Spring pin 2×12		
32	2003009	Spring Seat		
33	2000035	Bronze Bushing		
58	2003005	pin roll		
59	2003006	Handle		
60	2003004	Externaltooth		
61	2003011	Washer		
62	2003003	Internal tooth		
63	B5787-665	Hex Hd. Flange Bolt M6×65		
64	2003018	Upper handle		
65	1822021	Lower handle		
120	2003012	Drive Clutch Lever		





沃得集团  
WORLD GROUP

## HANDLEBAR & CONSOLE (Standard)

REF NO.	PART NO.	DESCRIPTION	WYZ18N2-BS45-A* 01	WYZ18N2-BS4 5-B*01
8	B97.1-6	Flat Washer 6mm		
12	B820-640	Phillips Hd Screw M6×40		
14	B820-650	Phillips Hd Screw M6×50		
15	2011031	Cable clamp		
16	B6182-6	Nylon Insert Lock Nut M6		
17	WORD18.6-05	Rope Guide		
18	2215300	Throttle Control Assembly		
19	2203333	Cable Unit		
24	XSZ56-1-09	Knob Nut M8		
66	WORD18.6-04	Handle Grip		
67	2003101	Flywheel Brake Lever		
68	1803002	Upper Handle		
69	WORD18.6-01	Lower Handle		
70	XSZ56-1-15	Bolt, Handle		
71	B801-840	Square Neck Bolt M8×40mm		
121	2003201	Drive Clutch Lever		
122	2203003	Bracket for handle		







## MOWER DECK ASSEMBLY

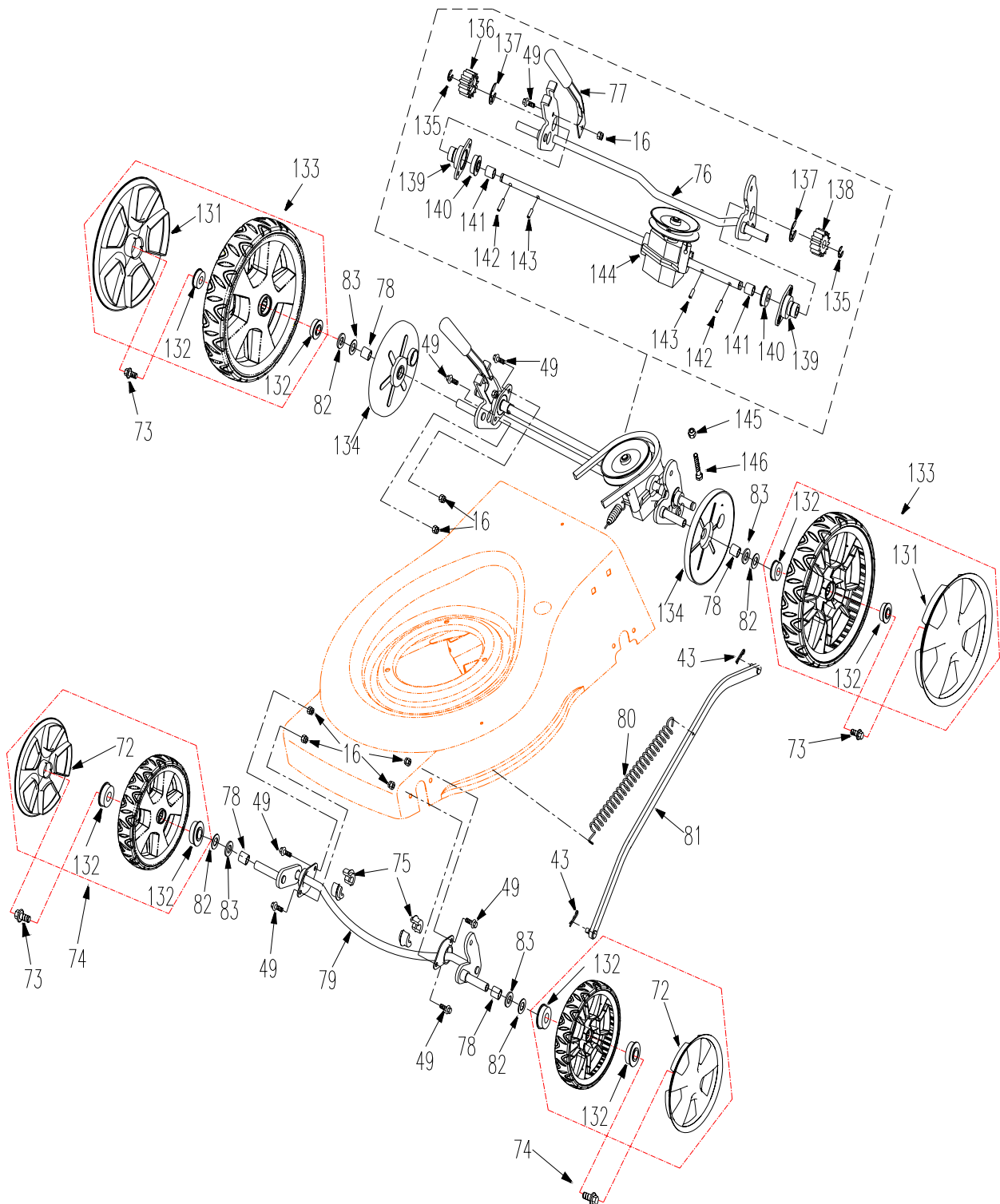
REF NO.	PART NO.	DESCRIPTION	WYZ18N2-**-	WYZ18N2-**-
8	B97.1-6	Flat Washer 6mm		
16	B6182-6	Nylon Insert Lock Nut M6		
28	B6182-8	Nylon Insert Lock Nut M8		
34	1822033	Torsion Spring Seat, RH		
35	2000056	Torsion Spring, Right		
36	2000024	Rod, Rear Cover		
37	B801-816	Square Neck Bolt M8x16mm		
38	1800029	Bracket, RH		
38A	1822006	Right Bracket		
39	1800004	Rear Cover		
40	2000055	Torsion Spring, Left		
41	1822032	Torsion Spring Seat, LH		
42	1800028	Bracket, LH		
42A	1822004	Left Bracket		
43	XSZ56-1-17	Hair Pin		
44	1800017	Side Discharge Chute	N	
45	1800016	Mulch Cover	N	
46	2000019	Pivot Shaft	N	
47	2213000	Mounting Bracket,	N	
48	2200021	Torsion Spring	N	
49	B5787-616	Hex Hd. Flange Bolt M6×16		
50	1822031	Height Adjustment Rack		
52	1822050	Mower Deck		N
52A	1822060	Mower Deck	N	
53	B91-220	Hair Pin 2×20		
54	2000006	Rod, Rear Guard		
55	XSS46-15	Rear Guard		
56	1800019	Mulching Plug	N	
57	B5787-835	Bolt M8×35		
123	1812003	V-Belt Z750		
124	1808213	Right pulley cover		
125	1808212	Left pulley cover		
126	4LZ2.16.4-04	Rubber sheath		
127	2100012	Wing nut		
128	1813011	Rear guard plate		

Note: 1、 The number 38 and 42 components match simple handle as well as the belt tooth handle rest uses.

2、 The number 38A and the 42A components match the standard arm rest uses.



# DRIVE ASSEMBLY





沃得集团  
WORLD GROUP

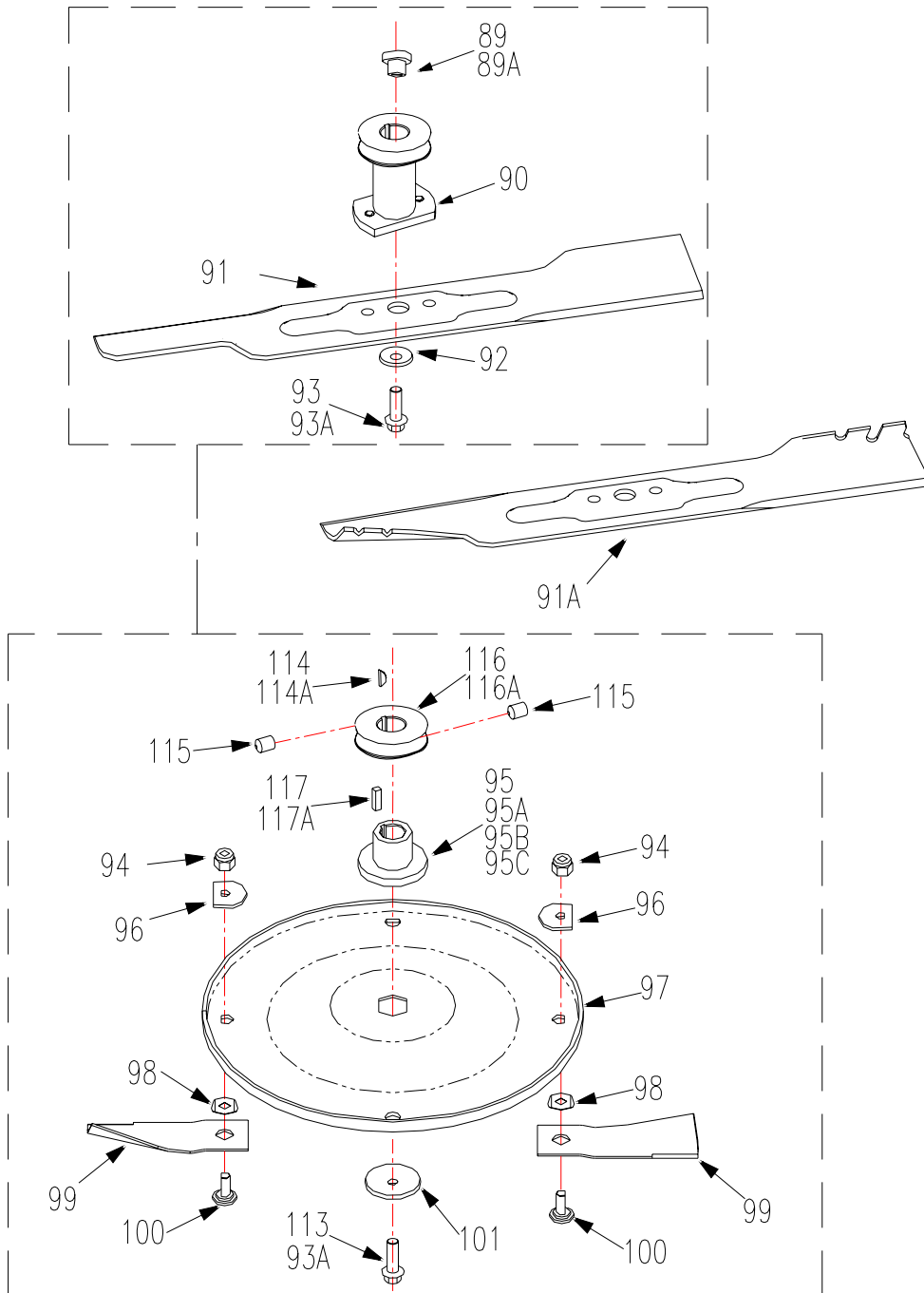
## DRIVE ASSEMBLY

REF	PART NO.	DESCRIPTION	WYZ18N2-**-A	WYZ18N2-*
16	B6182-6	Nylon Insert Lock Nut M6		
43	XSZ56-1-17	Hair Pin		
49	B5787-616	Hex Hd. Flange Bolt M6×16		
72	00701	Hub Cap		
73	B5787-816	Hex Hd. Flange Bolt M8×16		
74	00700	7"Wheel Assembly		
75	WORD18-01	Nylon Bearing		
76	1807130A	RearAxle Assembly		
77	WORD18.5.2	Cutting Height Adjustment		
78	2007401	Bushing		
79	1807110	Front Shaft Assembly		
80	1810016	Tension Spring		
81	1822002	Haul Shank Seam		
82	B97.1-12	Washer 12		
83	B955-12	Wave Spring Washer12mm		
131	00811	Hub Cap		
132	2201002	Wheel Bearing 1/2"		
133	00810	8"Wheel Assembly		
134	2200034	Cover		
135	B896-9	E-Clip 9mm		
136	2200033	Pinion Gear, Right		
137	XSZ56-2-06	E-Clip 19mm		
138	2200032	Pinion Gear, Left		
139	2207002	Bearing Housing		
140	2207003	Wheel Bearing 1/2"		
141	2207001	Bronze Bushing		
142	XSZ56-2-08	Roll Pin		
143	B879-516	Spring Pin 5×16mm		
144	1807400	gear box		
145	B6170-6	Nut M6		
146	B820-645	Screw M6×45		



沃得集团  
WORLD GROUP

# BLADE ASSEMBLY





REF NO.	PART NO.	DESCRIPTION	WYZ18N2-BS45-A *0*	WYZ18N2-BS4 5-B*0*
89	2019001■	Bushing		
89A	1800023□	Bushing		
90	1819100	Blade Adaptor		
91	XSS46-01	Blade		
91A	XSS46-01B★	Mulching blade		
92	XSZ56-2-17	Washer		
93	WORD18-08A□	Hex Hd. Bolt 3/8-24UNF×1-3/4		
93A	2200010■	Hex Hd. Bolt 3/8" -24 /1" ×2"		
94	B6182-10	Nut M10		
95	WORD18-03□○	Blade Adaptor		
95A	1822017■○	Blade Adaptor		
95B	WORLD22-2-01B□●	Blade Adaptor		
95C	1822019■●	Blade Adaptor		
96	WORD18.4-02	Spacer		
97	WORD18.4-04	Blade Hub		
98	WORD18.4-03	Curved Washer		
99	WORD18.4-05	Blade		
100	WORD18.4-01	Blade Bolt M10mm		
101	WORD18-04	Wing washer		
113	WORD18-08□	Hex Hd. Bolt 3/8-24UNF×1-3/8		
114	B1099-46516○	Woodruff key 4×6.5×16		
114A	XSZ56-2-20●	Woodruff key		
115	B78-68	Screw M6×8		
116	1819101A○	Pully		
116A	1819101B●	Pully		
117	XSS46-02A○	Key		
117A	XSZ56-2-18●	Flat key		

Note: 1、“□” is use for European and American area, “■” is use for Europe and America outside local.

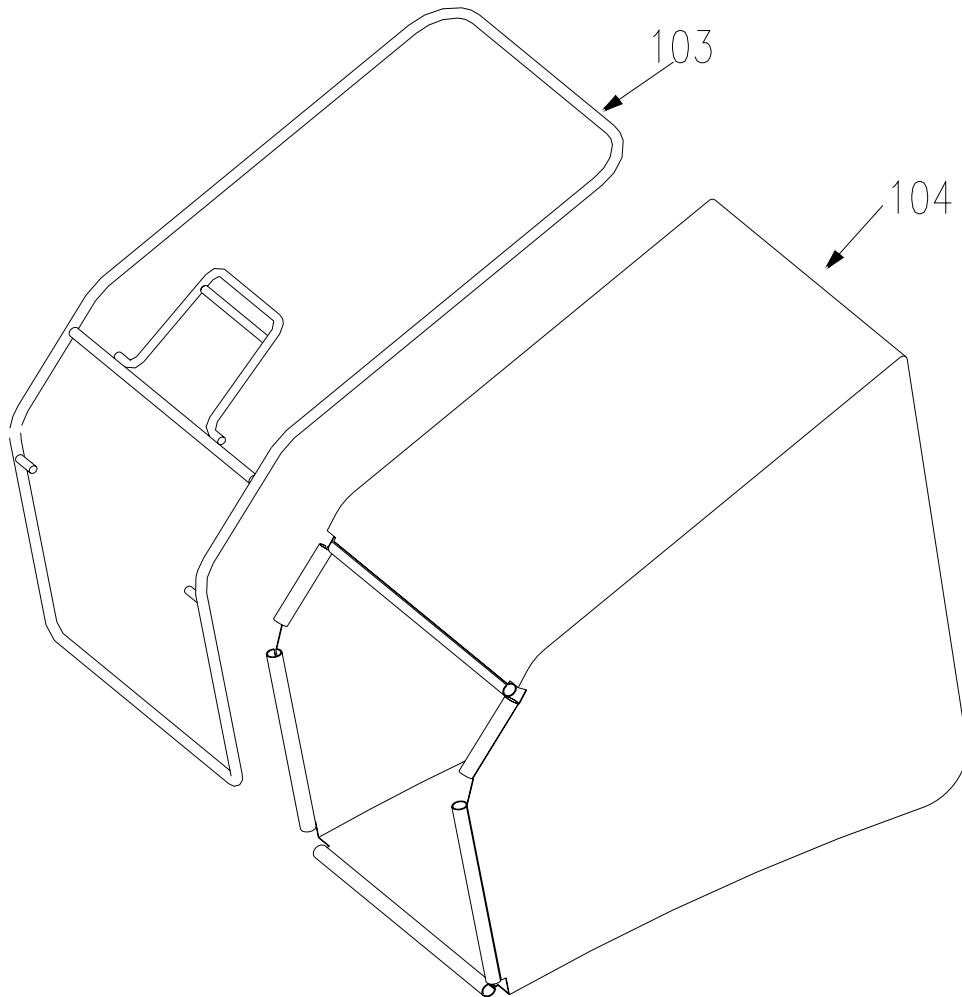
2、“★” is the appendix, must seperately select and purchase.

3. : “○” is use for B&S3.75 or4.0 or4.5HP, “●” is use for B&S6.0HP、B&S6.5HP。



沃得集团  
WORLD GROUP

# GRASS BAG ASSEMBLY



REF NO.	PART NO.	DESCRIPTION	WYZ18N2-**-A*0*	WYZ18N2-**-B*0*
103	1822071	Bag Frame		
104	1806200	Fabric Bag		